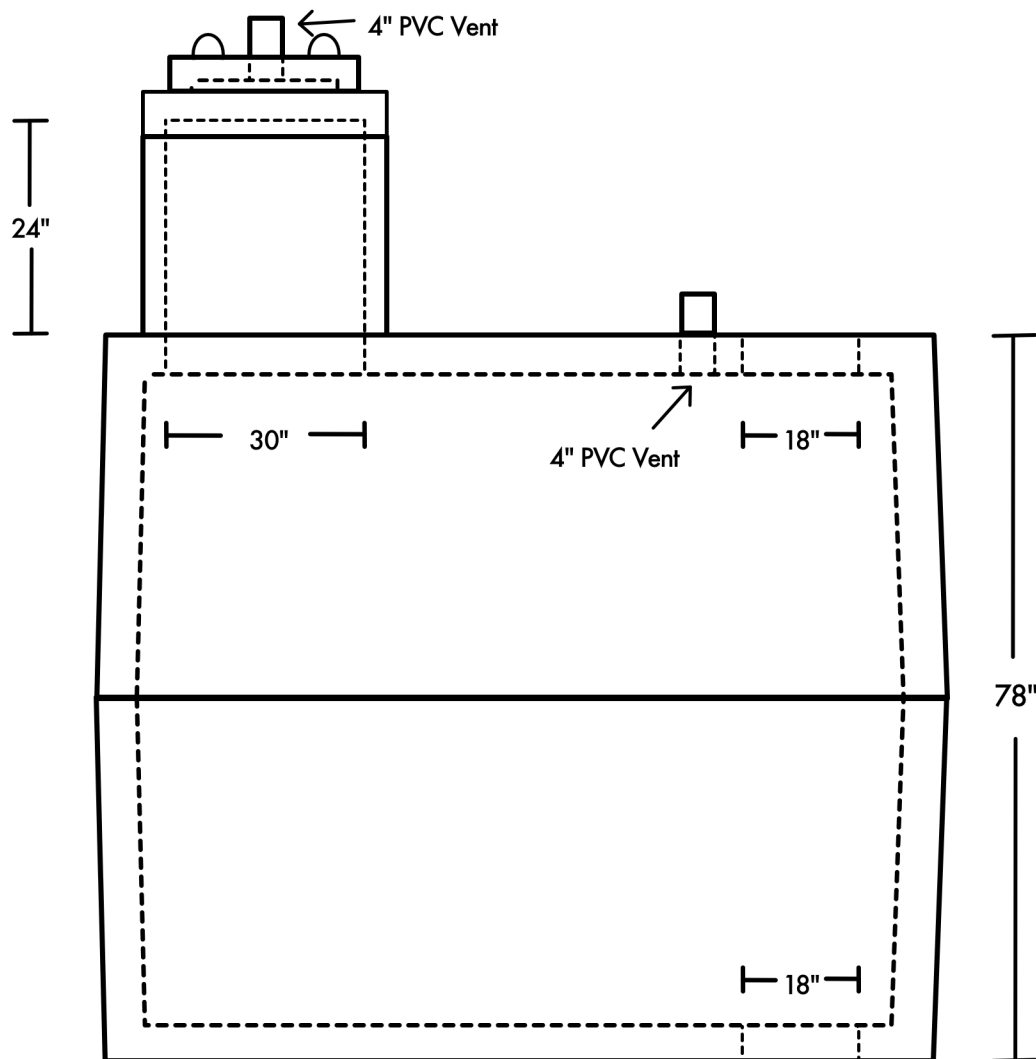
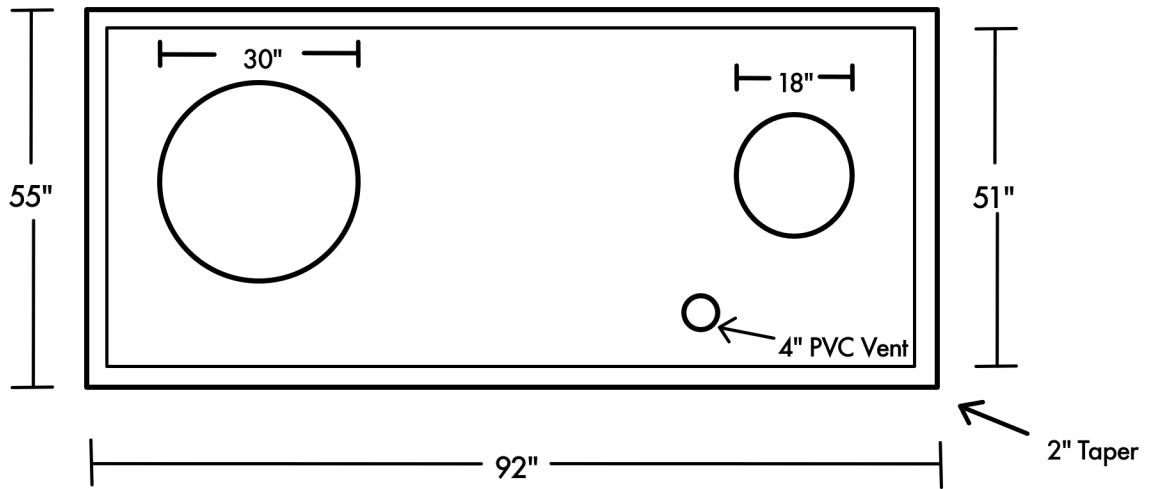


# 1000 Gallon Pump House w/ 18" Pass-Through for Well Housing



## Notes:

4000 PSI Concrete

10 Gauge Wire Mesh Reinforcement

Mastic Sealed Keyed Joint

